



CANX3-102 INSTALL GUIDE

INCLUDES CALIFORNIA CARB VEHICLES
REV: A (11/30/2022)



© Kleinn Air Horns 2020, All rights reserved.

PO Box 91278 Tucson, AZ 85752

Phone: (520) 579-1531

Web: www.Kleinn.com

This digital PDF is interactive.

Please save ink and paper...



Open interactive manual using Adobe Reader[®]

on [PC, MAC, and all smart devices](#)



CANX3-102 Install Guide

Table of Contents

- 1. LIST OF FIGURES5
- 2. How to Use this Manual6
 - 2.1. Interactive Manual using Adobe Reader6
 - 2.2. Illustration/Photo Details and Orientation.....6
- 3. Safety First6
- 4. Application Chart7
 - 4.1. 100% Direct Bolt-On Vehicle List7
 - 4.2. Excluded Vehicles7
 - 4.3. Aftermarket Product Compatibility7
- 5. Installation Overview.....8
 - 5.1. QUICK INSTALL OUTLINE.....8
 - 5.2. Kit Layout and Locations.....9
 - 5.3. Approximate Installation Time9
- 6. List of Tools and Supplies 10
 - 6.1. Standard Tool List (Required)..... 10
 - 6.2. Special Tool List (Recommended) 10
 - 6.3. Shop Consumables List (Recommended) 10
- 7. Parts List 11
 - 7.1. Before Starting, Review Parts List 11
 - 7.2. Pre-Packaged Electro-Mechanical Kit Items..... 11
 - 7.3. Air Fittings and Related Items 12
 - 7.4. Electrical Small Components and Related Items..... 13
 - 7.5. Bolt-On Mounting Brackets & Special Hardware 13
 - 7.6. Hardware, Fasteners and Soft Parts 14
- 8. On-Vehicle Mechanical Assembly Steps..... 15
 - 8.1. Remove Passenger Side Rear Fender 15
 - 8.2. Air & Electrical Safety 17
 - 8.3. Reconfigure Tank Fittings 17
 - 8.4. Air Horn - Installation 18
- 9. On-Vehicle Electrical Installation..... 23
 - 9.1. Horn Wiring Diagram & Wiring Guide for Illuminated Rocker Switch 23
 - 9.2. Install Horn Button 24



CANX3-102 Install Guide

10. Initial Testing of Kit.....	25
10.1. Reconnect Compressor	25
10.2. Test Train Horns.....	25
10.3. Re-install Rear Fenders.....	25
11. General Operation of Kit	26
11.1. Compressor Operation	26
12. Routine Maintenance	26
13. Warranty Information	26



CANX3-102 Install Guide

1. LIST OF FIGURES

Figure 1 – Top View Showing Kit Layout (2018 X3 2 Door Shown)	9
Figure 2 – Passenger Rear Fender Removal (fasteners on top of fender)	15
Figure 3 – Passenger Rear Fender Removal (fasteners behind door and fender)	15
Figure 4 – Passenger Rear Fender Removal (below taillight).....	16
Figure 5 – Passenger Rear Fender Removal (fender resting on tire); Air Tank shown installed	16
Figure 6- Air Tank Reconfiguration.....	17
Figure 7- Air Horn Separation.....	18
Figure 8 – Carriage Bolts temporarily taped in place on Horn Bracket.....	18
Figure 9 – X3-302 with Rubber U-Trim installed, exploded view	19
Figure 10 – Sway Bar Bolts to remove and Brake Line Bolt (looking from above).....	19
Figure 11 – Air Horn Bracket Installed.....	20
Figure 12- Trumpet Support Bracket Installation.....	21
Figure 13 – Installing Air Horns onto Horn Bracket.....	21
Figure 14- Final Tightening of Air Horn Brackets and Air Horn	22
Figure 15 – Final installation of 102 Air Horn (X3 Turbo R shown)	22
Figure 16- Wiring Guide for Illuminated Rocker Switch.....	23
Figure 17- Center Console for Rocker Switch Install	24



2. How to Use this Manual

2.1. Interactive Manual using Adobe Reader

It is recommended to open this digital PDF using Adobe Reader[®] to take advantage of following key features:

- **Hyperlinks** ([blue underlined text](#)) allow access to additional content via internet; click/tap to activate
- Includes [Installation Figures](#) and “[Figure xx](#)”
- **Table of Contents** page allows easily navigating this manual; click/tap any section line to go to it
- **Bookmarks** allow quickly navigating to any section; click/tap
- **Zoom IN** on pictures by pressing “CTRL and +” at same time on PC, or pinch in on smart devices
- **Zoom OUT** on pictures by pressing “CTRL and -” at same time on PC, or pinch out on smart devices

2.2. Illustration/Photo Details and Orientation

This manual may use digitally created illustrations, and/or actual photos of example vehicle. These graphics may not include exact items found on your vehicle (i.e., electrical wiring, fuel lines, body panels, etc.). Illustrations typically will be missing details and are for clarity to show critical mounting locations and orientation on vehicle.



Throughout manual yellow arrows with text reading “FRONT”, may be present over illustrations and pictures. These arrows specify direction toward front of vehicle and provide clarity to how illustration is viewed.

End of Section

3. Safety First

Read manual thoroughly before starting installation of this kit. Verify you have all parts listed and that you clearly understand this installation procedure. Contact Kleinn technical support for any questions.

Installation of this kit requires **moderate mechanical aptitude**; seek professional help if you’re not competent using hand tools in tight uncomfortable spaces, and around possibly rusted and sharp vehicle parts.

Before starting, obtain proper tools required to perform installation correctly, adequate lighting, eye protection, hearing protection for operating train horns, and hand protection to guard against sharp edges and metal burrs, which may be present on kit parts and vehicle parts.

Throughout this manual the following words may be used; be aware of their meaning and application.

CAUTION: means damage could occur to vehicle, or kit parts during, or after installation

WARNING: means injury could occur to you or others, including damage to vehicle, or kit parts

DANGER: means serious injury or death could occur to you or others during installation

End of Section



CANX3-102 Install Guide

4. Application Chart

4.1. 100% Direct Bolt-On Vehicle List

CANX3-102 is a 100% direct bolt-on aftermarket product for Can-Am vehicles listed in below chart; every effort has been made to verify correct fitment on these vehicles in their factory, non-modified conditions.

MODEL YR	MODEL	DRIVE	ENGINE	BODY	TRIM
2017-2021	MAVERICK X3	ALL	ALL	ALL	ALL

NOTE: All vehicles listed may require drilling holes for ground wires and installing switches, based on preference of installed switch locations and wire grounding points.

4.2. Excluded Vehicles

4.2.1. N/A

4.3. Aftermarket Product Compatibility

4.3.1. This kit has been designed to be compatible with following products from leading manufacturers:

- Aftermarket cages that discard OE rearmost bolt-on chassis tubes (i.e., Rack down tubes)
- Aftermarket front shock tower braces and bulkheads (i.e., S3 PowerSports), which bolt ONLY in front of shocks, or below frame (i.e., cannot attach above sway bar bolts)

4.3.2. **This kit has NOT been designed** to be compatible with any of the following products:

- Exhaust systems or high-performance intake systems, including super/turbo chargers
- Suspension systems (i.e., larger shocks/springs, control arms, sway bar upgrades, etc.)
- Winches
- Oversized tires
- Oversize rear fenders
- Many other systems/parts no listed

NOTE: Review this manual in full before unpacking items and verify correct space and mounting locations exist with your aftermarket product(s). *To install this kit alongside your other aftermarket product(s), modification to included parts, your vehicle, or aftermarket product(s) may be required.*

End of Section



CANX3-102 Install Guide

5. Installation Overview

5.1. QUICK INSTALL OUTLINE

For person(s) with experience installing Kleinn bolt-on kits, CANX3-102 can be quickly installed following below:

1. Layout and organize all parts on bench
2. Remove passenger rear fender
3. Safely disable the air system
4. Reconfigure air tank fittings
5. Assemble & install air horn
6. Electrical & pneumatic connections
7. Wire up the illuminated rocker switch
8. Test air horn system
9. Re-install rear fender(s)

5.2. Kit Layout and Locations

CANX3-102 consists of following sub-systems, located on vehicle, as follows:

ITEM	DESCRIPTION	MOUNTING LOCATION	APPROX. INSTALL TIME
1	102 Series Dual Horn with Air Solenoid	Front Sway bar Mounts, <i>(directly behind front shocks)</i>	2-4 Hours

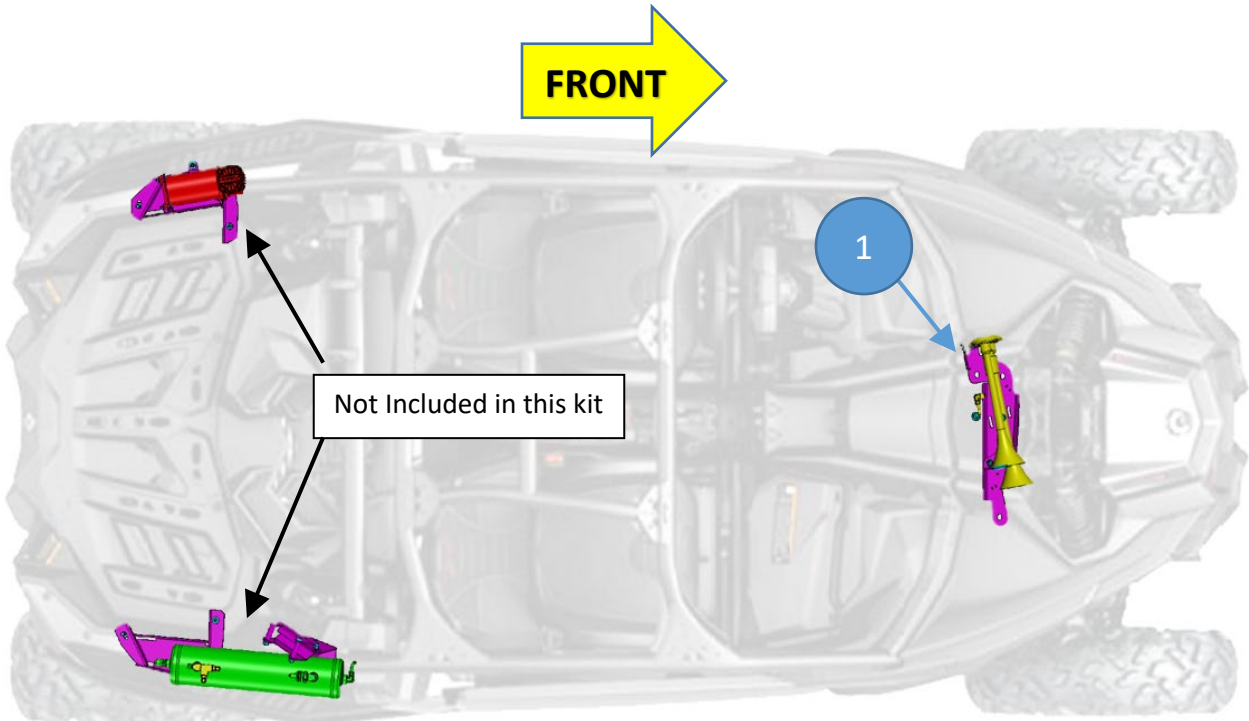


Figure 1 – Top View Showing Kit Layout (2018 X3 2 Door Shown)

5.3. Approximate Installation Time

CANX3-102 is a multi-faceted product consisting of multiple mechanical, electrical, and pneumatic components.

For a typical home mechanic, auto enthusiast, or technician installing a Kleinn Bolt-On kit for first time, a professional installation job with setup and testing of final product, is estimated to take:

- **2-4 Hours**

End of Section



6. List of Tools and Supplies

6.1. Standard Tool List (Required)

- 6.1.1. Basic mechanic's 3/8" drive socket sets with extensions
 - Inch Size Sockets (1/4" – 1" Hex)
 - Metric Size Sockets (6mm – 20mm Hex)
- 6.1.2. Basic mechanic's combination wrenches (box/open-end)
 - Inch Size Wrenches (1/4" – 1" Hex)
 - Metric Size Wrenches (6mm – 20mm Hex)
- 6.1.3. Basic mechanic's screwdriver set (Philips, Flat Head)
- 6.1.4. Torx driver, or socket set (T15-T30)
- 6.1.5. Diagonal Cutter/Wire Cutter Pliers
- 6.1.6. Wire Strippers
- 6.1.7. Wire Terminal Crimpers
- 6.1.8. Slip-Joint Pliers
- 6.1.9. Utility Knife, or Utility Razor blade
- 6.1.10. Magnetic retrieval tool

6.2. Special Tool List (Recommended)

- 6.2.1. 10-100 ft.-lb. torque wrench
- 6.2.2. 20-150 in.-lb. torque wrench
- 6.2.3. Multi-Meter for 12V DC electrical systems, or equivalent
- 6.2.4. 12V DC Test Light, or equivalent
- 6.2.5. Trim Panel Tool, for removing wiring and body clips, when needed

6.3. Shop Consumables List (Recommended)

- 6.3.1. Quality Electrical tape
- 6.3.2. Di-electric grease for electrical connections
- 6.3.3. Heat Shrink tubing for electrical connections
- 6.3.4. Blue Loctite (i.e., Loctite PN 242), or equivalent
- 6.3.5. Sand Paper, or Wire Brushes for installing ground wires
- 6.3.6. Extra plastic zip ties > 6" long
- 6.3.7. Extra NPT sealant (i.e., Kleinn Air Horn Juice, Teflon tape, etc.)
- 6.3.8. Touch-up paint for frame/chassis
- 6.3.9. Typical cleanup supplies

End of Section



CANX3-102 Install Guide

7. Parts List


7.1. Before Starting, Review Parts List

Unpackage and organize Kit across a large work area and verify all parts are included, as listed below. Contact Kleinn support if any questions arise.

- 7.1.1. Review pre-packaged Kit items (i.e., K1, K2, etc.)
- 7.1.2. Review Air Fittings and Tubing (i.e., F1, F2, etc.)
- 7.1.3. Review Wiring and Accessories (i.e., E1, E2, etc.)
- 7.1.4. Review Bolt-On Mounting Brackets (i.e., M1, M2, etc.)
- 7.1.5. Review Hardware/Fasteners (i.e., H1, H2, etc.)
- 7.1.6. Familiarize yourself with how parts assemble

7.2. Pre-Packaged Electro-Mechanical Kit Items

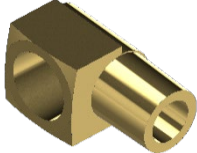




NOTE: Items in this section come in their own packages and may include additional items inside package

ITEM	QTY	PART NUMBER	DESCRIPTION	PICTURE
K1	1	102-1	102 Series Air Horn Kit, with included solenoid/valve	







CANX3-102 Install Guide

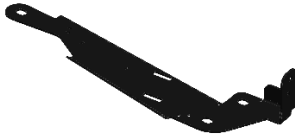

7.3. Air Fittings and Related Items

ITEM	QTY	PART NUMBER	DESCRIPTION	PICTURE
F1	1	51414NPTL (view location on Air Tank)	1/4" NPT X 1/4" NPT FEMALE, 90 DEG. ELBOW	
F2	1	51414 (view location on Air Tank)	1/4" NPT X 1/4" TUBE FITTING, STRAIGHT	
F3	1	54440 (view location on Air Tank)	1/4" NPT "T" MANIFOLD, FEMALE	
F4	26 ft	25014	1/4" AIR TUBING	
F5	1	JUICE	THREAD SEALANT FOR NPT FITTINGS	

7.4. Electrical Small Components and Related Items

ITEM	QTY	PART NUMBER	DESCRIPTION	PICTURE
E1	1	N/A	FULL WIRE KIT, WITH ELECTRICAL CONNECTORS AND ZIPTIES	
E2	20 ft	N/A	1/8" WIRE LOOM, CORRUGATED AND SPLIT	
E3	1 ft	N/A	1" WIRE LOOM CORRUGATED AND SPLIT	
E4	1	321-W	HORN ROCKER SWITCH, WITH BACKLIT HORN LOGO	

7.5. Bolt-On Mounting Brackets & Special Hardware

ITEM	QTY	PART NUMBER	DESCRIPTION	PICTURE
M1	1	X3-301	HORN BRACKET	
M2	1	X3-302	HORN STABILIZER BRACKET	

7.6. Hardware, Fasteners and Soft Parts

NOTE: A scale drawing is available at the end of this section & may be printed at 100% size to aid in identification of hardware.

ITEM	QTY.	SIZE	DESCRIPTION	PICTURE
H1	2	1/4"-20 X 1"	SQUARE NECK BOLT, GRADE 2, ZINC-PLATED	
H2	2	1/4" ID X 0.63" OD	FLAT WASHER, SAE, ZINC-PLATED	
H3	2	1/4"	LOCK WASHER, SPLIT, ZINC-PLATED	
H4	2	1/4"-20	HEX NUT, GRADE 2, ZINC-PLATED	
H5	2	5/16"-18 X 1" LONG	SQUARE NECK BOLT, GRADE 2, ZINC-PLATED	
H6	2	5/16" ID X 0.69" OD	FLAT WASHER, SAE, ZINC-PLATED	
H7	2	5/16"	LOCK WASHER, SPLIT, ZINC-PLATED	
H8	2	5/16"-18	HEX NUT, GRADE 2, ZINC-PLATED	
H9	1	12"	RUBBER TRIM	

End of Section

8. On-Vehicle Mechanical Assembly Steps

8.1. Remove Passenger Side Rear Fender

8.1.1. Remove seven (7) T30 screws from top of fender and corner trim, as shown circled in below figure.

8.1.2. After removing screws, remove five (5) accompanying body clips on top of rear fender and two (2) on corner trim.

CAUTION: Use care removing body clips and corner trim; corner trim has a hidden clip on the backside. All items removed will be re-used later.



Figure 2 – Passenger Rear Fender Removal (fasteners on top of fender)

8.1.3. Remove three (3) additional T30 screws; two (2) located behind passenger door and one behind panel in wheel-well area as shown below. Un-clip wire loom from body panel for ease of moving fender.

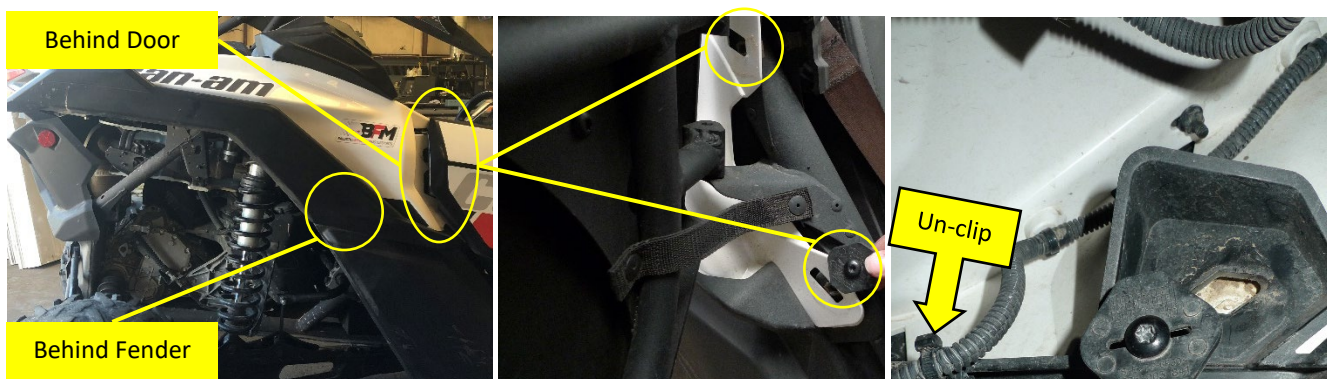


Figure 3 – Passenger Rear Fender Removal (fasteners behind door and fender)

8.1.4. Remove single T15 screw holding rear of fender near inside of brake light, as shown below.

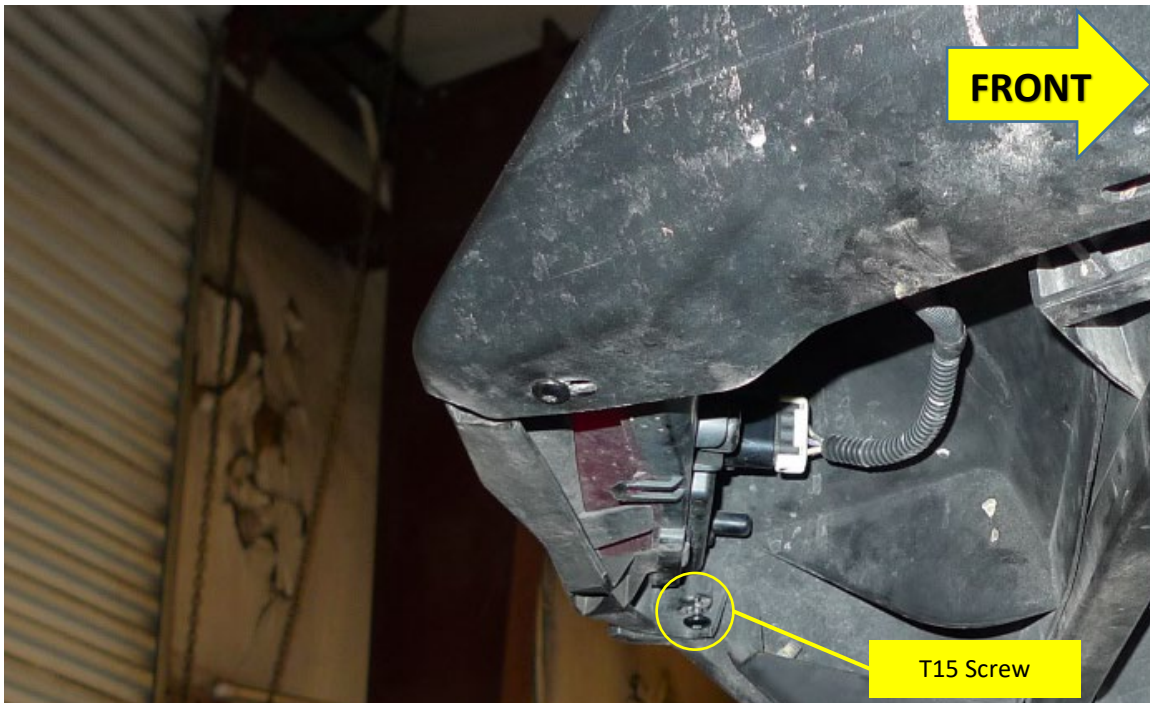


Figure 4 – Passenger Rear Fender Removal (below taillight)

8.1.5. Pull fender outwards from body and rest on tire to reduce stress on brake light wiring, as shown below.



Figure 5 – Passenger Rear Fender Removal (fender resting on tire); Air Tank shown installed

8.2. Air & Electrical Safety

It is recommended to pull the fuse for the compressor to prevent it from starting up during draining of the tank.

Using the drain on the underside of the tank, drain all air from the system.

8.3. Reconfigure Tank Fittings

8.3.1. Use the below figure to reconfigure the tank fittings to accommodate the addition of the air horns. **You may adjust fitting orientation according to your setup or desire.**

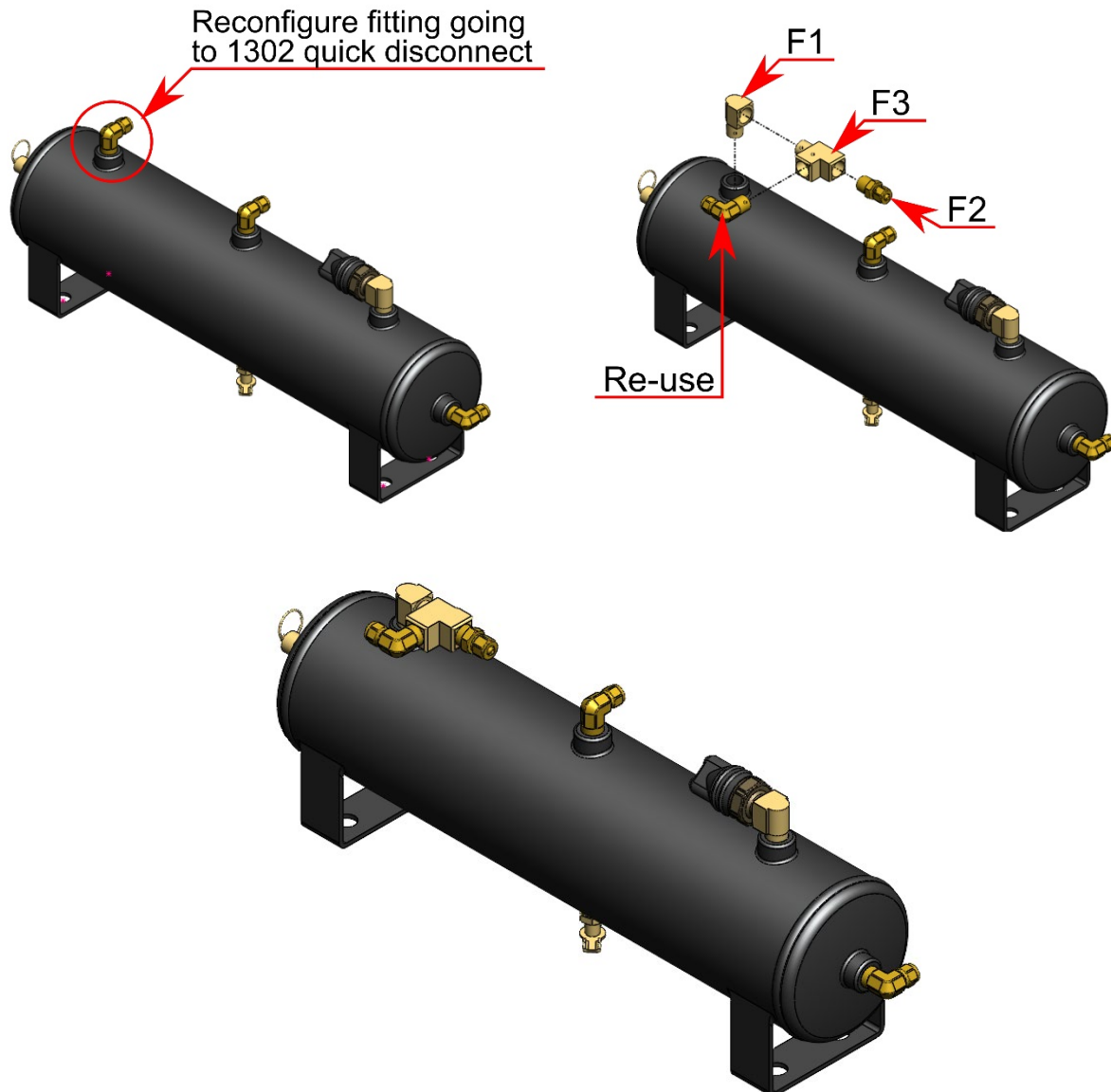


Figure 6- Air Tank Reconfiguration

8.3.2. Partially or fully remove the tank to facilitate installation of the new fittings, if needed.

8.4. Air Horn - Installation

8.4.1. Disassemble the trumpets (#1 & #2 below) from the air horn driver (#3 below), by grasping the trumpet throats turning counter-clockwise; it may be necessary to clamp the air horn driver. The horn should be separated into three components when finished.

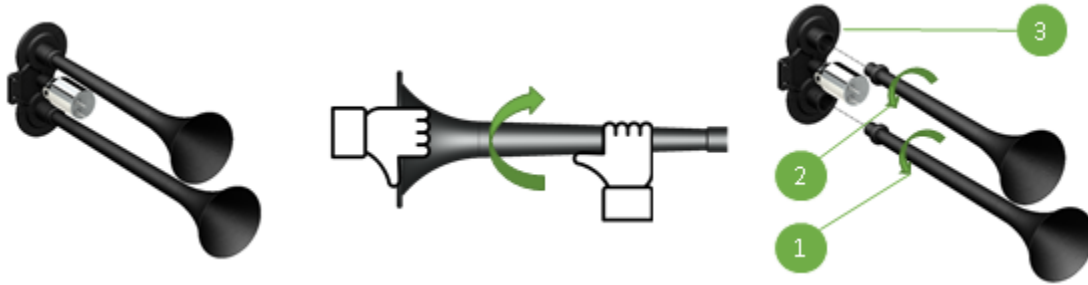


Figure 7- Air Horn Separation

8.4.2. Gather X3-301 Horn Bracket, [hardware](#) H5 (2), and a long piece of masking tape, or similar and temporarily tape carriage bolts to bottom of Bracket, as shown below; threads should be sticking up.

NOTE: This step is necessary, as space constraints near Sway Bar make it difficult to insert bolts with Bracket in place. **Apply tape long enough so that it can be easily removed after installation.**

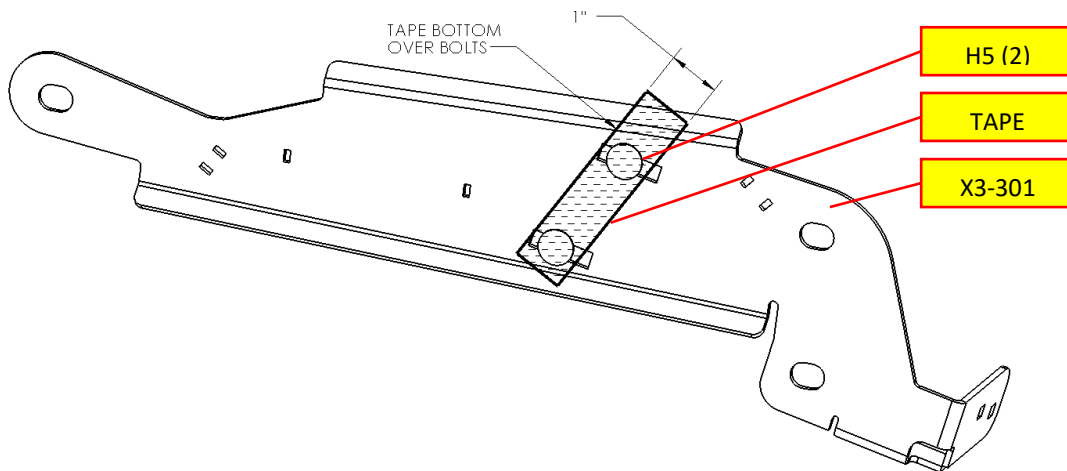


Figure 8 – Carriage Bolts temporarily taped in place on Horn Bracket

8.4.3. Gather X3-302 and Rubber Trim ([hardware H9](#)), cut trim and install into holes, as shown below.

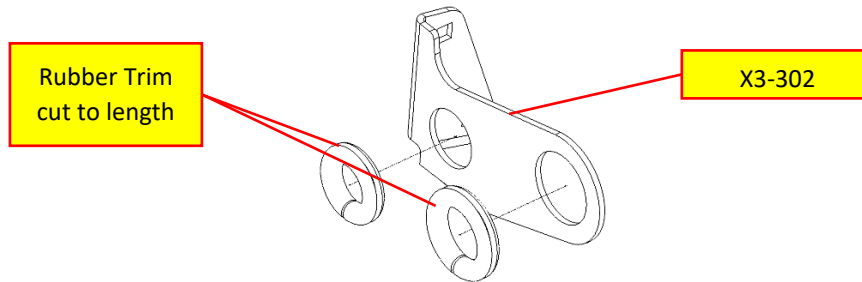


Figure 9 – X3-302 with Rubber U-Trim installed, exploded view

8.4.4. Remove three (3) M12 OE bolts that hold the front sway bar and remove the small T30 bolt holding the brake line against the firewall, as shown below. Fasteners, as they will be re-used.

NOTE: Removal of both front wheels will facilitate installation; however, if front suspension is fully extended (i.e., vehicle supported in center with no weight on suspension), the coil springs will be closer to horn trumpets, which increases difficulty installing the air horn.

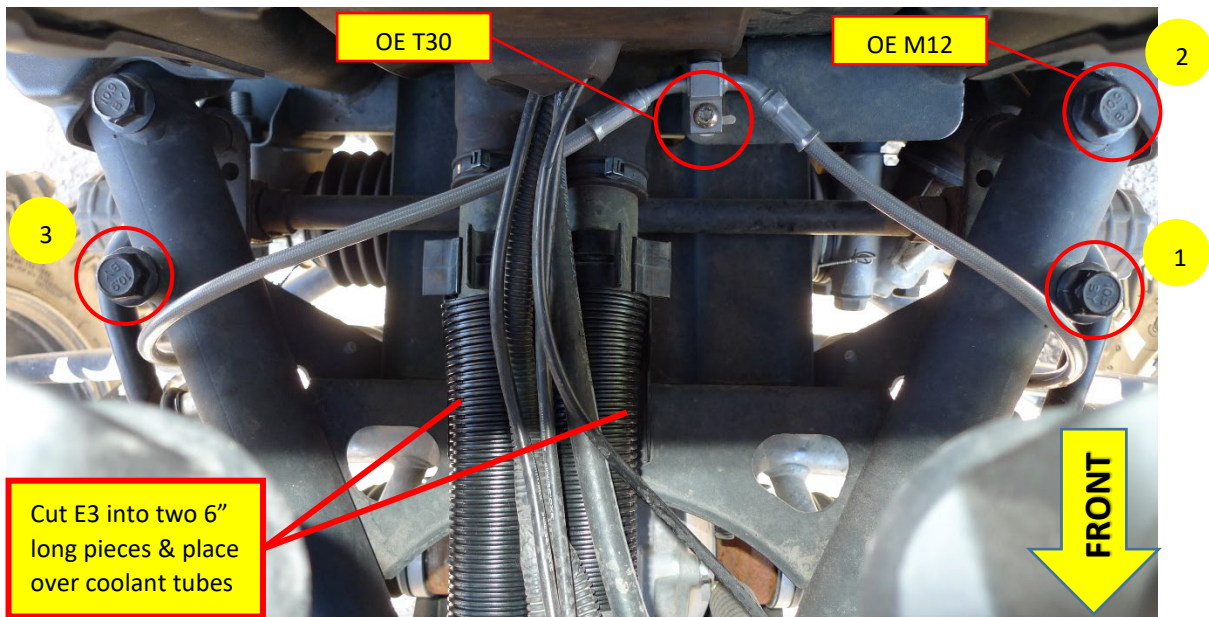


Figure 10 – Sway Bar Bolts to remove and Brake Line Bolt (looking from above)

8.4.5. Cut supplied split wire loom (E3) into two 6" long pieces and fit over coolant tubes, as shown above.

- 8.4.6. Install X3-301 by pulling upwards on the brake lines and sliding the bracket between the brake lines & the coolant tubes, as shown below.
- 8.4.7. Reposition the loom to provide protection from the bracket contacting the coolant lines.
- 8.4.8. Fasten the bracket by reinstalling the previously removed M12 hardware. DO NOT fully tighten hardware.
- 8.4.9. Use the supplied zip-ties to **LOOSELY** secure brake lines, coolant tubing, and wiring using the small rectangular slots. **Re-install and torque the T30 Bolt.**

NOTE: On vehicles equipped with “Smart-Lok”[®] locking front differential, disconnect vacuum/vent line to differential, if necessary and route above Bracket, then re-connect to front differential.

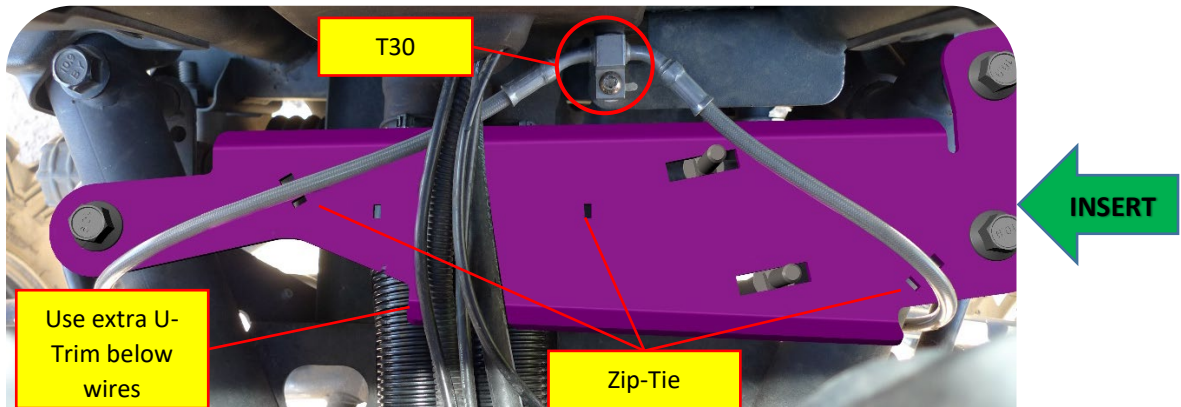


Figure 11 – Air Horn Bracket Installed

- 8.4.10. Install X3-302 Trumpet Support Clamp in the orientation shown below using hardware H6, H7 & H8. **Do not fully tighten this hardware.** The tape can now be removed from the bracket.

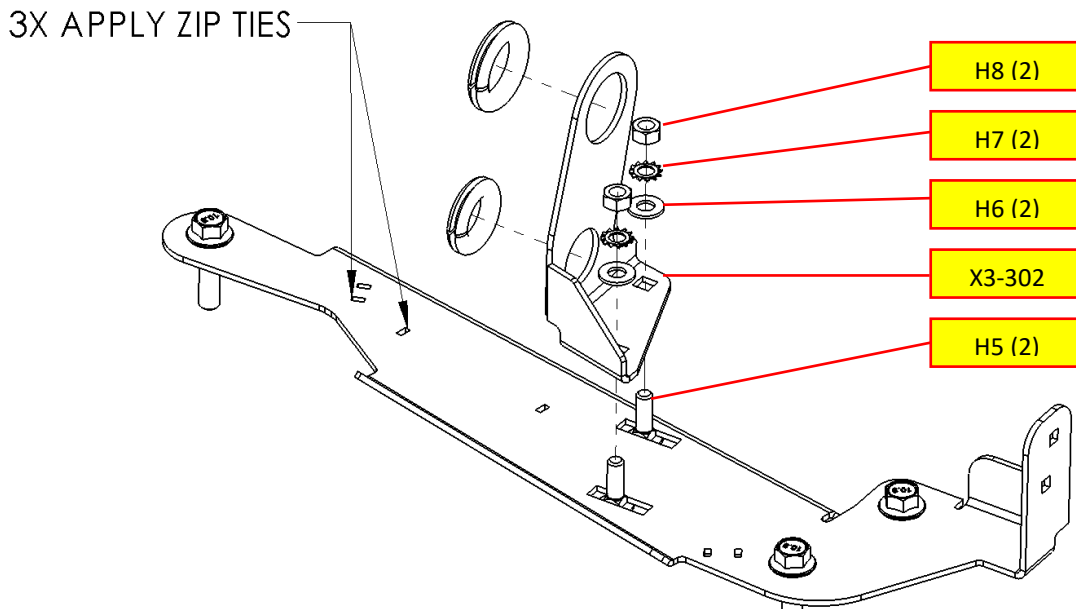


Figure 12- Trumpet Support Bracket Installation

- 8.4.11. On bench, connect remaining amount of supplied 1/4" Air Tubing to Air Fitting on Air Horn Solenoid.
- 8.4.12. Slide detached trumpets into the support bracket, then install the air horn driver onto the main bracket using [hardware](#) H1, H2, H3 & H4. Loosely fasten the hardware & reattach the trumpets to the horn driver.

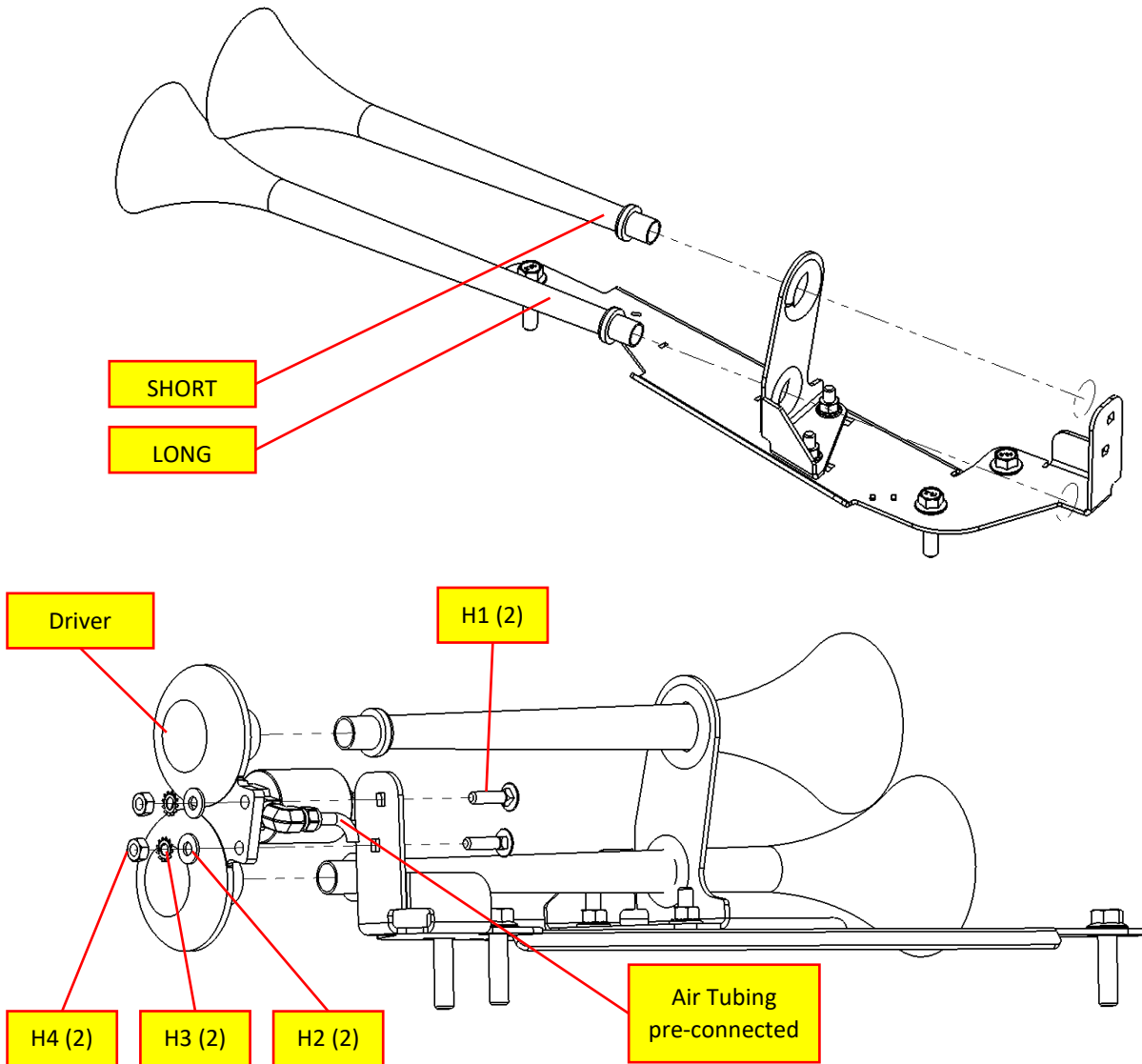


Figure 13 – Installing Air Horns onto Horn Bracket

8.4.13. Route the air tubing across the bracket, as desired.

NOTE: Position the X3-301 bracket, as necessary to ensure maximum clearance around springs.

8.4.14. **Final torque all fasteners** as shown per order below & fully secure the brake and coolant lines via previously installed zip ties.

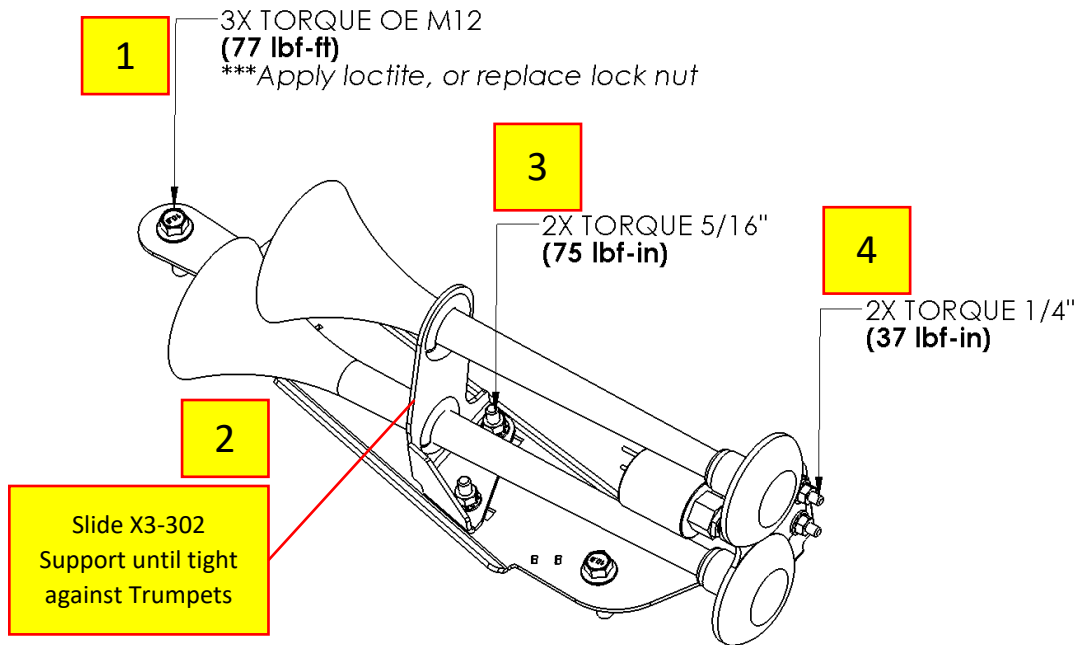


Figure 14- Final Tightening of Air Horn Brackets and Air Horn

8.4.15. Route the air tubing towards the air tank, as desired and safely secure to frame away from heat and sharp edges using zip-ties. Attach to the appropriate fitting.

8.4.16. Final installation of Air Horn should match below pictures.

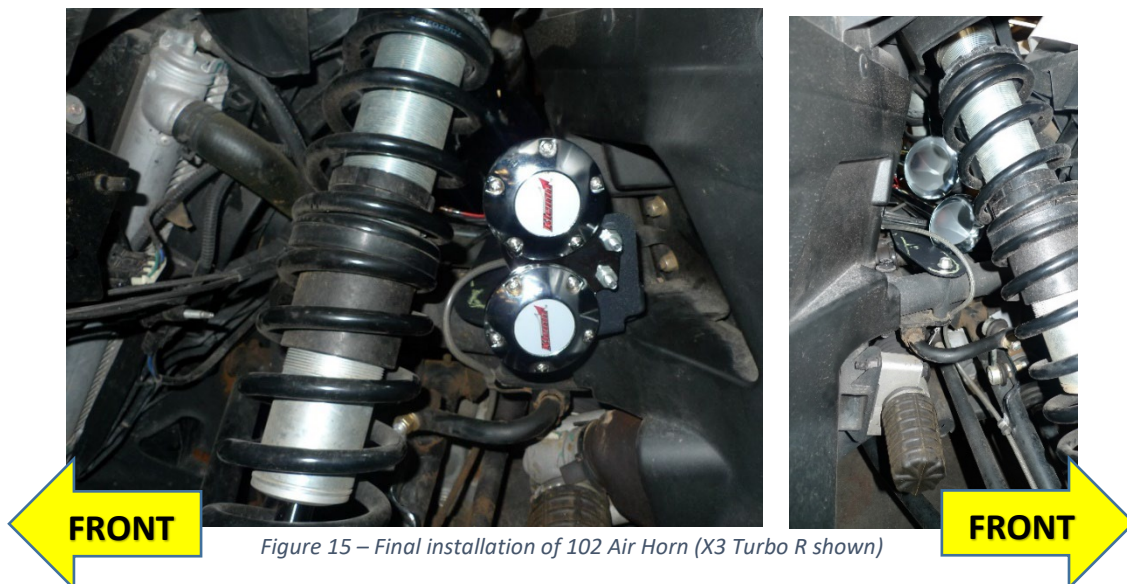


Figure 15 – Final installation of 102 Air Horn (X3 Turbo R shown)

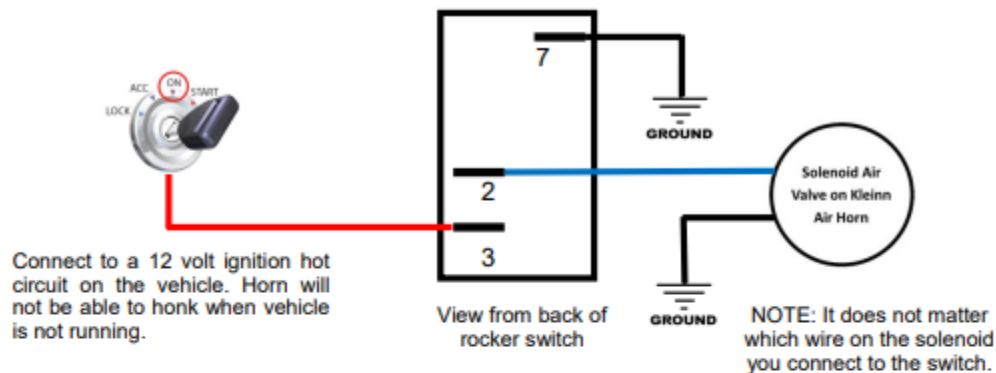
End of Section

9. On-Vehicle Electrical Installation

CAUTION: Follow all recommended safety precautions for working on vehicle's electrical system; consult vehicle owner's manual for further instruction.

9.1. Horn Wiring Diagram & Wiring Guide for Illuminated Rocker Switch

"KLEINN" logo illuminated schematic



"AIR HORN" illuminated schematic

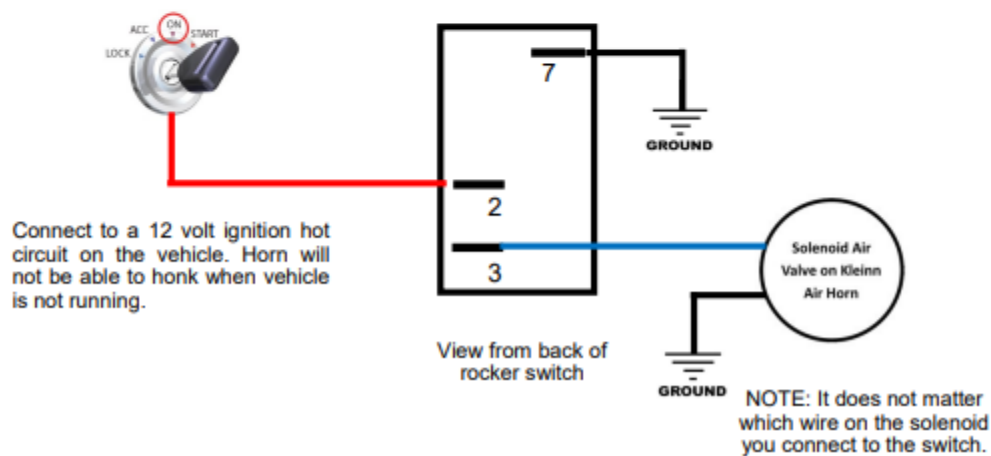


Figure 16- Wiring Guide for Illuminated Rocker Switch

9.2. Install Horn Button

- 9.2.1. It's recommended to install Horn Push Button (E4) in OEM location designed for aftermarket switches and accessories, found at center console, as shown below.



Figure 17- Center Console for Rocker Switch Install

End of Section



CANX3-102 Install Guide

10. Initial Testing of Kit

10.1. Reconnect Compressor

CAUTION: Verify all wiring is properly connected and no shorts exists. Use of Multi-Meter, or Test Light is recommended to check continuity of all connections.

10.2. Test Train Horns

- 10.2.1. Allow Air Compressor to run and shut-off automatically (i.e., Air Tank is full)
- 10.2.2. Verify all tubing and electrical wire is securely fastened to vehicle, brackets, or kit parts; if necessary, use extra zip ties to hold tubing and wire in place
- 10.2.3. Ensure all nearby persons have adequate hearing protection and provide courtesy warning to neighbors or others in vicinity

WARNING: NEVER operate train horns with ears close to trumpets or in an enclosed space without substantial hearing protection (i.e., > Ear Plugs and Ear Muffs) for all persons closer than 100 feet from vehicle. Never operate train horns outdoors when persons are near vehicle without adequate hearing protection.

- 10.2.4. Briefly activate Horns by pressing Horn Button for one (1) second; repeat three (3) times with a short rest period between (i.e., 1-3 seconds)
- 10.2.5. Horns should sound as expected and be loud.
- 10.2.6. Horn sound/loudness will taper as Air Tank loses pressure

Allow Air Compressor to refill tank, if needed and activate Horns for longer three (3) second period to ensure Horns are functioning properly.

10.3. Re-install Rear Fenders

- 10.3.1. After successful testing of the kit, re-install Passenger and (if removed) Driver side Rear Fenders in reverse order used in [section 8.1 above](#).

End of Section



CANX3-102 Install Guide

11. General Operation of Kit

11.1. Compressor Operation

WARNING: Never operate Air Compressor above its MAXIMUM PRESSURE RATING (see label on body). Operation exceeding maximum pressure will damage Air Compressor and may result in Dangerous Air System failure.

- 11.1.1. Air compressor is equipped with an automatic thermal overload protection circuit, designed to protect air compressor from overheating and causing permanent damage.
- 11.1.2. Automatic thermal overload protector will automatically reset after 30 minutes.
- 11.1.3. To prevent discharge of vehicle's battery and for best performance, keep vehicle's engine running while using air compressor for any prolonged use (i.e., filling tires, using air tools, etc.).

12. Routine Maintenance

Perform following steps at least once during recommended intervals.

- 12.1. Yearly, or every 12000 miles verify all mounting fasteners are properly torqued; applying witness marks across fasteners and mounting parts is good practice to quickly ensure fasteners have not moved.
- 12.2. Yearly, or every 12000 miles inspect OE wiring, tubing, cables, etc. where Kit parts may touch, to verify no abrasion or rubbing.
- 12.3. Yearly, or every 12000 miles remove all road grime and mud from mounting brackets and

13. Warranty Information

Thank you for purchasing this CANX3-102. Shall you experience any unexpected problems during installation or have problems with any part at any time please contact Kleinn support.

kit parts using clean water from a garden hose; pay special attention to corners where dirt may collect. Touch up all paint chips using automotive grade enamel in either spray, or brush form.

NOTE: High-pressure washers may damage part finishes and *must* be used with care. Do this more frequently if traveling regularly off-road, or in winter climates with road salts.

12.4. Yearly, or every 12000 miles check electrical and air fitting connections and wires for abrasion, corrosion, or other damage. Replace damaged components.

NOTE: if system runs continuously or turns on unexpectedly, leaks or intermittent electrical connection may be present.

12.5. Monthly, or every 10 hours of compressor run time, drain moisture from air tank using drain valve installed at bottom of tank.

WARNING: Failure to regularly drain air tank may result in corrosion inside tank and possible failure in tank or air lines, which can suddenly release air pressure causing injury.

12.6. Yearly, or every 12000 miles clean, or replace air compressor air filter element. Replacement frequency depends on operating frequency and conditions of operating environment (i.e., daily use requires more frequent changes). Order replacement filters at Kleinn.com.

NOTE: Never lubricate or add any liquids to the included oil-less air compressor



CANX3-102 Install Guide

KLEINN MANUFACTURER LIMITED DEFECT WARRANTY:

Kleinn Automotive Air Horns warrants this product to the end-user, when properly installed and under normal conditions of use, to be free from defects in workmanship and materials for a period of one year from the provided date of purchase, to the original purchaser of the product. This warranty does not cover abuse, operation in a manner inconsistent with the product's design, or damage resulting from exposure to the elements. If the defect is considered "under warranty", Kleinn will, at its option, repair or replace the product free of charge to the original purchaser. Kleinn is not liable for any installation charges, loss or damage of any kind incurred in the replacement or repair of any warranted product.

© Kleinn Air Horns 2020, All rights reserved.

PO Box 91278 Tucson, AZ 85752

Phone: (520) 579-1531

Web: www.Kleinn.com